



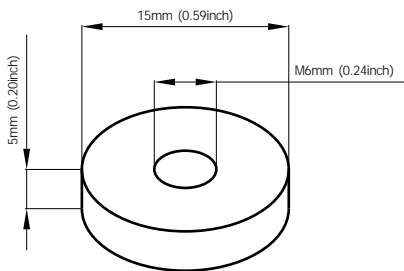
HR(Hight Rate) range has been developed with high efficiency active materials to stimulate inside the battery with higher power output when the battery is discharged to a extent level. With high-density structure the inner resistance can be reduced to a relatively lower level, which will significantly improve the performance for high rate discharging when high power output service is needed.

Applications

- Electric Car & Scooter
- Toys and Spot Light
- Photovoltaic Solar System
- Marine Application
- UPS
- Toy

General Features

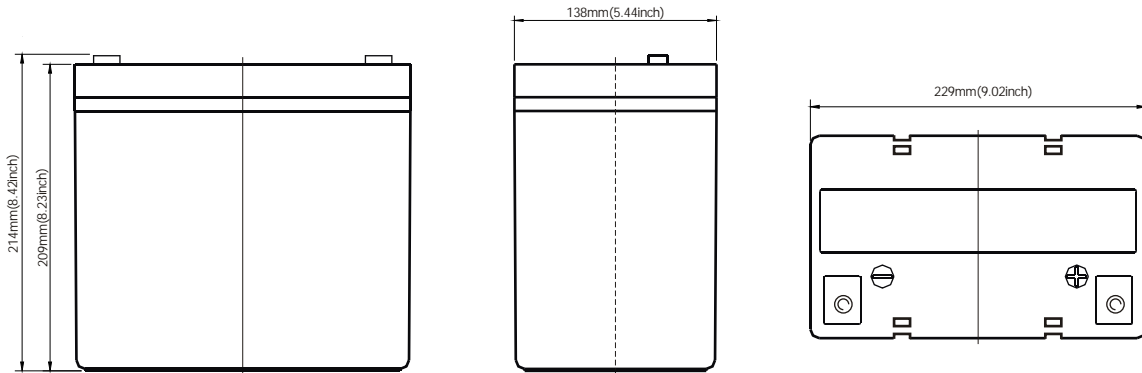
- Sealed and maintenance free operation.
- Non-Spillable construction design.
- ABS containers and covers(UL94HB, UL94V-0) optional.
- Safety valve installation for explosion proof.
- High quality and high reliability.
- Exceptional deep discharge recovery performance.
- Low self discharge characteristic.
- Flexibility design for multiple install positions.



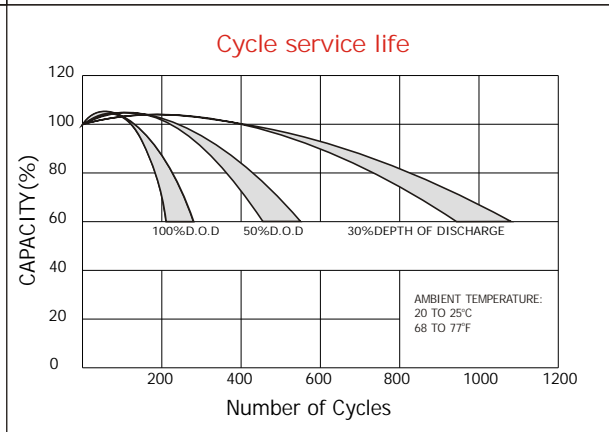
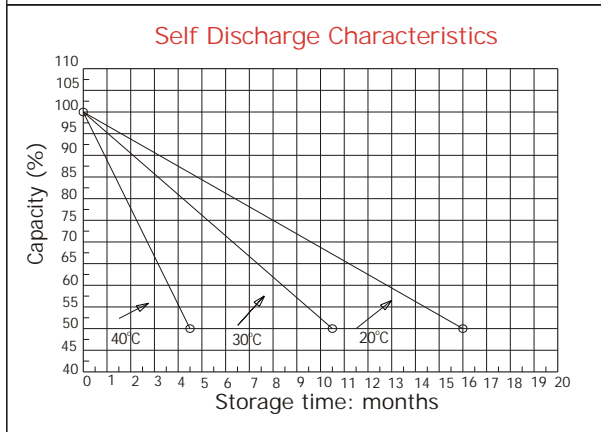
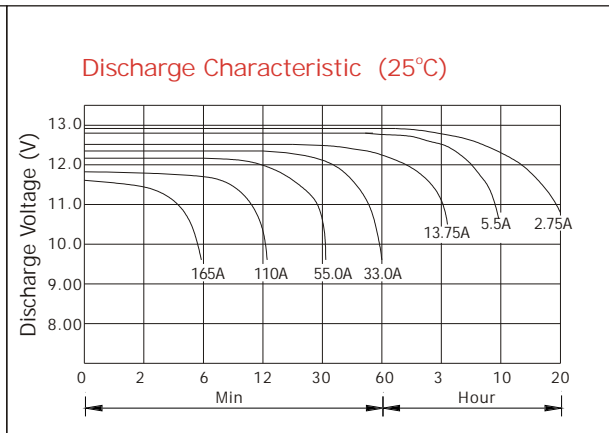
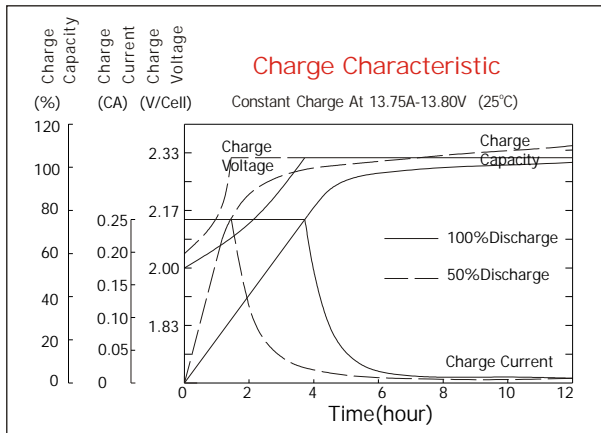
Standard Terminal Dimensions
(Optional terminal please check terminal information page)

Construction

- ComponentRaw material
- PositiveLead dioxide
- NegativeLead
- ContainerABS
- CoverABS
- SealantEpoxy Resin
- Safety valveEPDR
- TerminalLead
- SeparatorFiber glass
- ElectrolyteSulfuric acid



Battery Model	GT12-55HR-2 (200W to 1.67V, 15min)			
Designed Floating Life	6-8 Years			
Capacity(25°C)	20HR(2.8A,1.75V)	10HR(5.5A,1.75V)	5HR(9.4A,1.75V)	1HR(36.5A,1.75V)
	56Ah	55Ah	47Ah	36.5Ah
Dimensions	Length	Width	Height	Total Height
	229mm(9.02inch)	138mm(5.44inch)	209mm(8.23inch)	214mm(8.42inch)
Approx. Weight	17.0Kg (37.5 lbs)			
Internal Resistance	Full charged at 25°C :0.006 Ohm			
Self Discharge	3% of capacity declined per month at (25°C)			
Capacity Affected by Temp.(20HR)	40°C	25°C	0°C	-15°C
	102%	100%	85%	65%
Charge Voltage(25°C)	Cycle use		Float use	
	14.4-14.8V(-30mV/ °C), max. Current: 13.8A		13.6-13.8(-20mV/ °C)	



Constant current discharge ratings-amperes at 25°C

F.V/Time	5MIN	10MIN	15MIN	30MIN	1HR	3HR	5HR	8HR	10HR	20HR
1.60V	236	147	111	67.6	39.1	17.2	10.5	6.85	5.71	3.09
1.67V	222	139	107	64.7	38.6	16.5	10.3	6.76	5.66	2.98
1.70V	203	134	104	58.8	37.4	15.4	10.0	6.64	5.63	2.93
1.75V	199	130	101	55.9	35.6	14.9	9.83	6.58	5.61	2.85
1.80V	178	124	91.6	51.8	33.4	14.3	9.24	6.33	5.50	2.78
1.85V	157	118	82.4	47.6	31.1	13.8	8.65	6.10	5.43	2.74

Constant power discharge ratings-watts at 25°C

F.V/Time	5MN	10MN	15MN	30MN	1HR	3HR	5HR	8HR	10HR	20HR
1.60V	415	266	203	122	705	304	177	128	117	6.16
1.67V	400	259	200	119	70.1	295	176	128	117	5.94
1.70V	377	256	198	112	688	282	174	127	116	5.87
1.75V	379	255	197	108	676	275	173	125	114	5.72
1.80V	347	252	182	103	63.7	26.7	16.7	123	113	5.67
1.85V	315	239	165	96.8	59.9	25.9	16.2	120	11.1	5.55

