



HR(Hight Rate) range has been developed with high efficiency active materials to stimulate inside the battery with higher power output when the battery is discharged to a extent level. With high-density structure the inner resistance can be reduced to a relatively lower level, which will significantly improve the performance for high rate discharging when high power output service is needed.

Applications

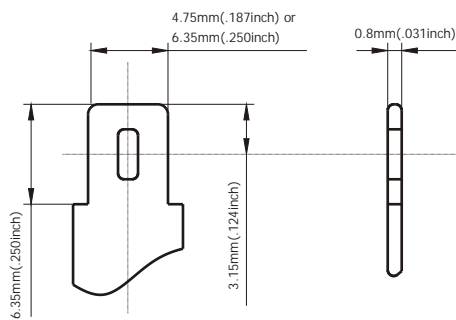
- Electric Car & Scooter
- Toys and Spot Light
- Photovoltaic Solar System
- Marine Application
- UPS
- Toy

General Features

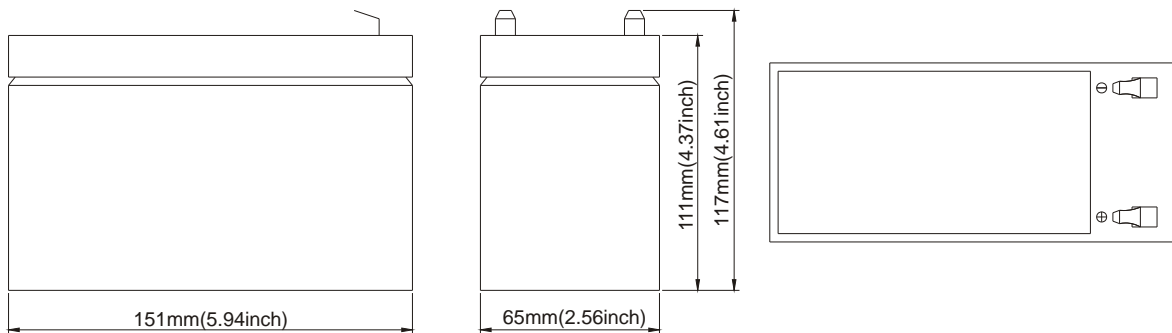
- Sealed and maintenance free operation.
- Non-Spillable construction design.
- ABS containers and covers(UL94HB, UL94V-0) optional.
- Safety valve installation for explosion proof.
- High quality and high reliability.
- Exceptional deep discharge recovery performance.
- Low self discharge characteristic.
- Flexibility design for multiple install positions.

Construction

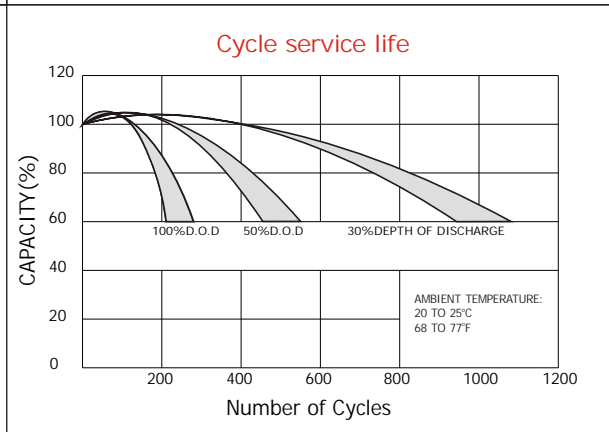
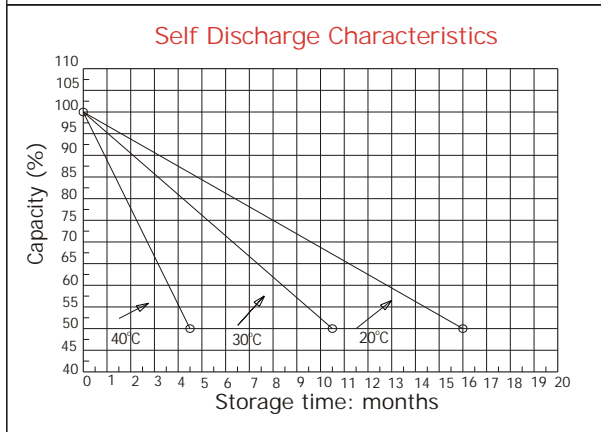
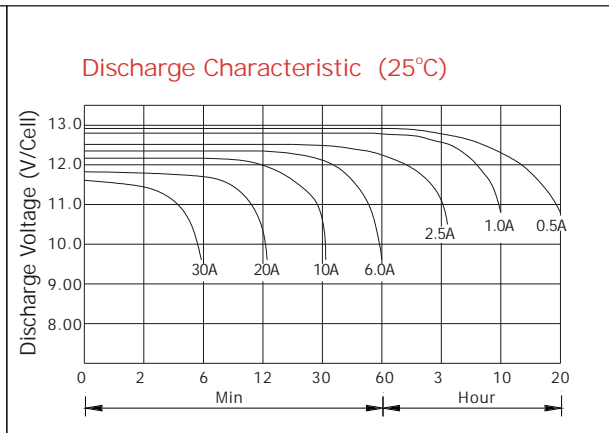
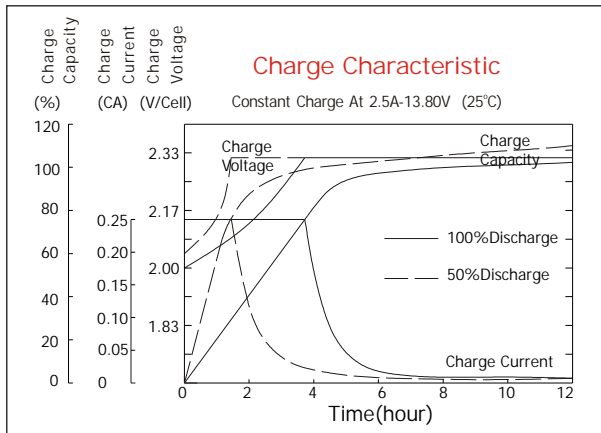
- ComponentRaw material
- PositiveLead dioxide
- NegativeLead
- ContainerABS
- CoverABS
- SealantEpoxy Resin
- Safety valveEPDR
- TerminalCopper
- SeparatorFiber glass
- ElectrolyteSulfuric acid



Terminal Dimensions



Battery Model	GT 12-10HR			
Designed Floating Life	5 Years			
Capacity(25°C)	20HR(0.45A,1.75V)	10HR(1.0A,1.75V)	5HR(1.7A,1.75V)	1HR(6.5A,1.75V)
	10.5AH	10AH	8.5AH	6.5AH
Dimensions	Length	Width	Height	Total Height
	151mm(5.94inch)	65mm(2.56inch)	111mm(4.37inch)	117mm(4.61inch)
Approx. Weight	3.2 Kg (7.28 lbs)			
Internal Resistance	Full charged at 25°C: 0.017 Ohm			
Self Discharge	3% of capacity declined per month at (25°C)			
Capacity Affected by Temp.(20HR)	40°C	25°C	0°C	-15°C
	102%	100%	85%	65%
Charge Voltage(25°C)	Cycle use		Float use	
	14.4-15V(-30mV/ °C), max. Current: 3A		13.6-13.8V(-20mV/ °C)	



Constant current discharge ratings-amperes at 25°C

F. V/Time	5MIN	10MIN	15MIN	30MIN	1HR	3HR	5HR	10HR	20HR
1.60V	51.2	31.8	24.0	14.6	7.39	3.24	1.98	1.08	0.58
1.67V	48.0	30.2	23.1	14.0	7.29	3.12	1.94	1.07	0.56
1.70V	44.0	29.1	22.6	12.7	7.07	2.91	1.90	1.07	0.55
1.75V	43.1	28.2	21.8	12.1	6.74	2.81	1.86	1.06	0.54
1.80V	38.6	26.9	19.8	11.2	6.31	2.70	1.75	1.04	0.53
1.85V	34.1	25.7	17.8	10.3	5.88	2.61	1.64	1.03	0.51

Constant power discharge ratings-watts at 25°C

F. V/Time	5MIN	10MIN	15MIN	30MIN	1HR	3HR	5HR	10HR	20HR
1.60V	89.8	57.5	43.8	26.4	13.3	5.75	3.35	2.22	1.16
1.67V	86.6	56.0	43.3	25.8	13.3	5.57	3.34	2.20	1.12
1.70V	81.6	55.5	42.9	24.2	13.0	5.32	3.29	2.19	1.11
1.75V	82.1	55.3	42.6	23.5	12.8	5.20	3.26	2.16	1.08
1.80V	75.1	54.5	39.5	22.4	12.1	5.05	3.16	2.14	1.05
1.85V	68.1	51.7	35.8	21.0	11.3	4.89	3.06	2.11	1.01

