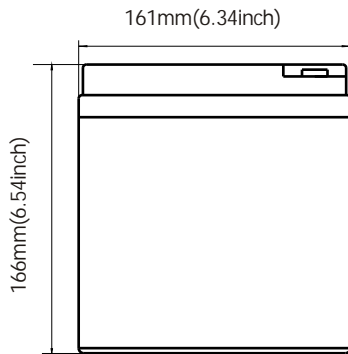
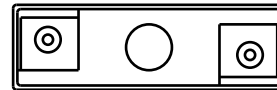


Terminal Dimensions



50.0mm(1.97inch)



GASTON GT

range is the most common standard and the first generation delicate product which is designed with AGM(Absorbent Glass Mat) technology, high performance plates and electrolyte. The definition of GT is coming from General purpose. Therefore, this range product has possessed various applications for common power backup system.

Applications

- Alarm System
- Medical Equipment
- Cable Television
- UPS
- Communication Equipment
- Power Tool
- Control Equipment
- Emergency Power System
- Security System
- Stand-by Electric Power Control System
- Emergency Lighting System

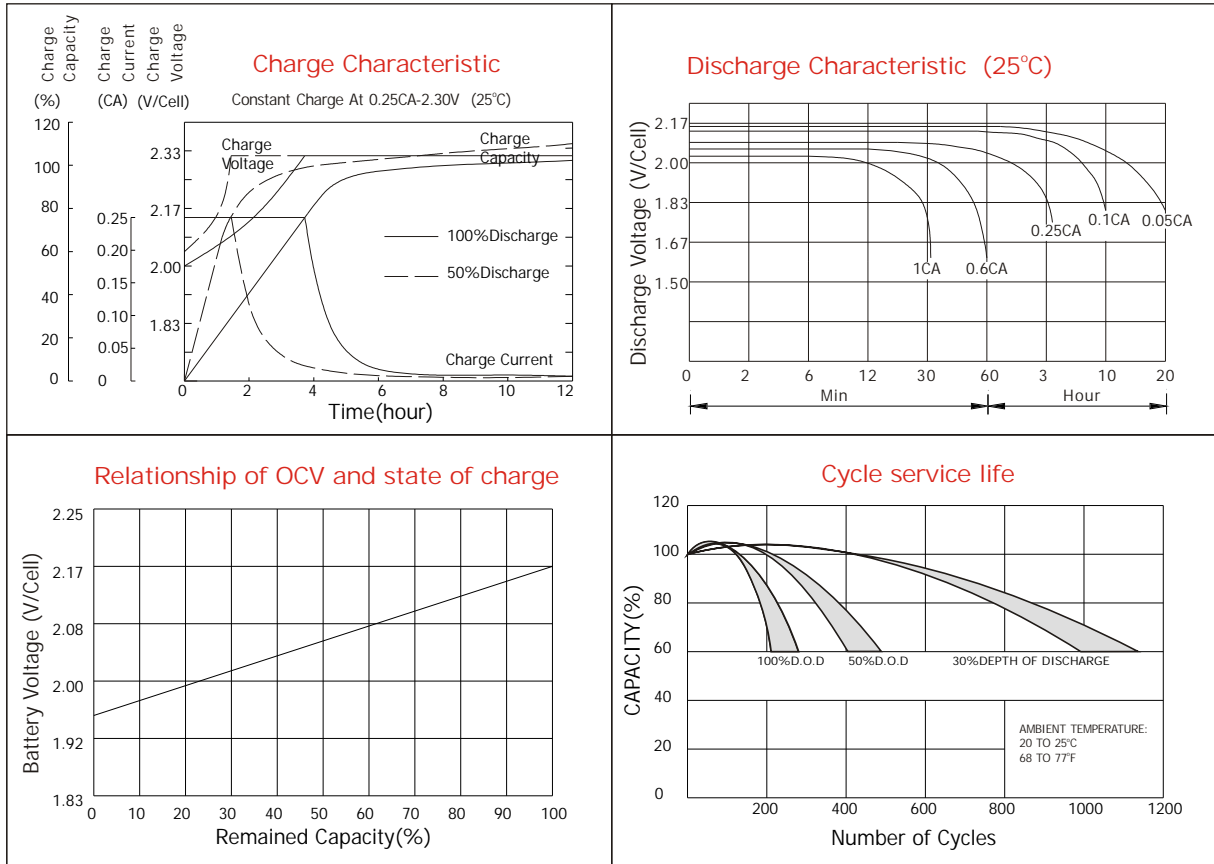
General Features

- Sealed and maintenance free operation.
- Non-Spillable construction design.
- ABS containers and covers(UL94HB, UL94V-0) optional.
- Safety valve installation for explosion proof.
- High quality and high reliability.
- Exceptional deep discharge recovery performance.
- Low self discharge characteristic.
- Flexibility design for multiple install positions.

Construction

- ComponentRaw material
- SealantEpoxy Resin
- PositiveLead dioxide
- Safety valveEPDR
- NegativeLead
- TerminalCopper
- ContainerABS
- SeparatorFiber glass
- CoverABS
- ElectrolyteSulfuric acid

Battery Model	GT 2-50			
Designed Floating Life	8 Years			
Capacity(25°C)	20HR(2.55A,1.75V)	10HR(5A,1.75V)	5HR(8.5A,1.75V)	1HR(30A,1.75V)
	51Ah	50Ah	42.5Ah	30Ah
Dimensions	Length	Width	Height	Total Height
	161mm(6.34inch)	50mm(1.97inch)	166mm(6.54inch)	166mm(6.54inch)
Approx. Weight	3Kg (6.62 lbs)			
Internal Resistance	Full charged at 25°C: 0.0012 Ohm			
Self Discharge	3% of capacity declined per month at (25°C)			
Capacity Affected by Temp.(20HR)	40°C	25°C	0°C	-15°C
	102%	100%	85%	65%
Charge Voltage(25°C)	Cycle use		Float use	
	2.4-2.5V(-5mV/ °C), max. Current: 12.5A		2.27-2.3V(-3mV/ °C)	



Constant current discharge ratings-amperes at 25°C

F. V/Time	5MIN	10MIN	15MIN	30MIN	1HR	3HR	5HR	10HR	20HR
1.60V	175	120	87.5	52.5	33.0	13.7	9.54	5.30	2.64
1.67V	158	110	85.0	51.0	33.0	13.6	9.46	5.22	2.63
1.70V	150	106	82.0	50.0	32.9	13.6	9.46	5.18	2.63
1.75V	133	97.5	77.5	49.0	32.5	13.5	9.38	5.09	2.61
1.80V	120	90.5	74.0	47.5	32.1	13.5	9.31	5.00	2.52
1.85V	91.0	74.5	64.0	43.7	31.8	13.4	9.23	4.92	2.37

Constant power discharge ratings-watts at 25°C

F. V/Time	5MIN	10MIN	15MIN	30MIN	1HR	3HR	5HR	10HR	20HR
1.60V	289	199	155	99.0	65.0	26.2	18.3	10.6	5.27
1.67V	274	197	154	97.0	62.9	26.2	18.3	10.4	5.25
1.70V	256	192	151	94.5	61.2	26.2	18.3	10.4	5.25
1.75V	238	179	142	92.0	60.7	25.8	18.1	10.2	5.23
1.80V	214	167	134	89.5	59.6	25.5	17.8	10.0	5.04
1.85V	171	138	117	82.0	59.1	25.4	17.5	9.8	4.74

