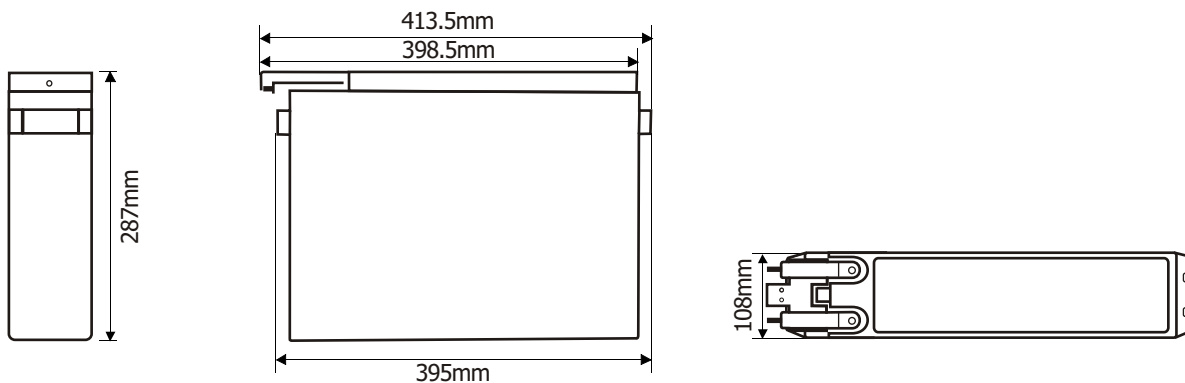


**Standard Terminal Dimensions**  
(Optional terminal please check terminal information page)



### GT-F(Front Terminal)

Range is recognised worldwide as the premium battery for telecommunications/IT applications. GT-F range s reputation for 12 year long service life, combined with excellent high rate performance, makes it the number one choice for high integrity, high specification UPS systems.

GT-F front terminal monoblock s compact design and standard footprint, suitable for 19 ,21 ,23 and ETSI racking, give users the benefit of increased energy density, With all electrical connectors at the front, installation and inspection are simpler and quicker.

### Applications

- Telecom
- Control Equipment
- UPS
- Communication Equipment
- Medical Equipment
- Emergency Power System

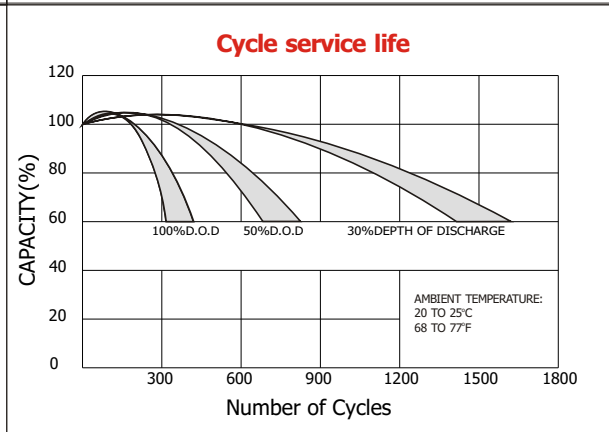
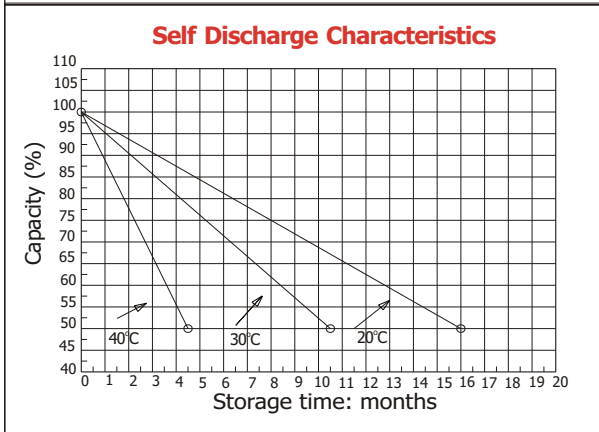
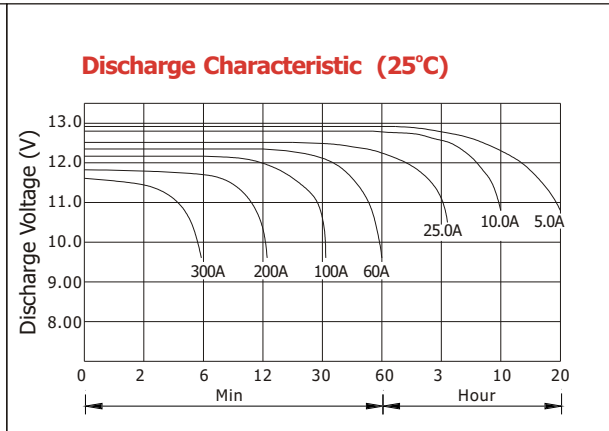
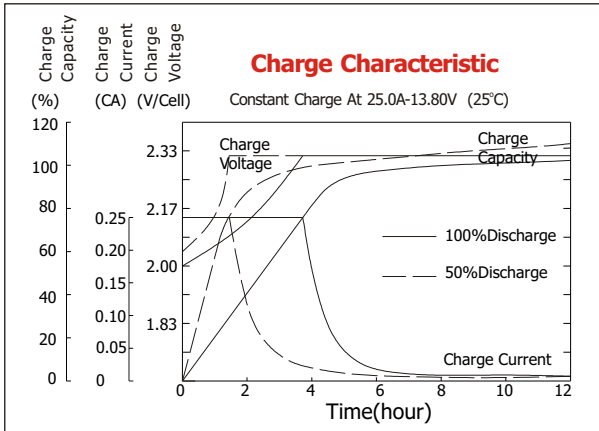
### General Features

- Easy maintenance and installation
- No need for extra (wrench space) above battery
- Sealed and maintenance free operation
- Non-Spillable construction design
- ABS containers and covers(UL94HB, UL94V-0) optional
- Safety valve installation for explosion proof
- Maximized energy density for installation in relay rack trays
- High quality and high reliability
- Exceptional deep discharge recovery performance
- Flexibility design for multiple install positions

### Construction

- Component .....Raw material
- Positive .....Lead dioxide
- Negative .....Lead
- Container .....ABS
- Cover .....ABS
- Sealant .....Epoxy Resin
- Safety valve .....EPDR
- Terminal .....Copper
- Separator .....Fiber glass
- Electrolyte .....Sulfuric acid

Battery Model	GT12-100NTF			
Designed Floating Life	12 Years			
Capacity(25°C)	20HR(5.18A,1.75V)	10HR(10.0A,1.75V)	5HR(18.2A,1.75V)	1HR(65A,1.75V)
	103.6Ah	100Ah	91Ah	65Ah
Dimensions	Length	Width	Height	Total Height
	413.5mm(16.28inch)	108mm(4.25inch)	287mm(11.3inch)	287mm(11.3inch)
Approx. Weight	32Kg (70.4 lbs)			
Internal Resistance	Full charged at 25°C :0.00068 Ohm			
Self Discharge	3% of capacity declined per month at (25°C)			
Capacity Affected by Temp.(20HR)	40°C	25°C	0°C	-15°C
	105%	100%	85%	68%
Charge Voltage(25°C)	Cycle use		Float use	
	14.4-14.8V(-30mV/ °C), max. Current: 25A		13.6-13.8(-20mV/ °C)	



### Constant current discharge ratings-amperes at 25°C

End Voltage per cell	5MIN	15MIN	30MIN	45MIN	1H	2H	3H	4H	5H	6H	8H	10H	12H	20H	24H
1.60V	325	175	106	76.7	62.0	35.6	27.9	21.4	19.2	16.1	12.5	10.6	8.75	5.44	4.54
1.67V	305	169	104	76.2	61.7	35.4	27.4	21.3	19.0	16.1	12.4	10.5	8.72	5.39	4.50
1.70V	302	166	103	75.6	61.2	35.1	27.2	21.1	18.8	16.0	12.4	10.5	8.70	5.38	4.50
1.75V	278	160	102	75.1	60.3	34.2	26.9	20.9	18.6	15.9	12.1	10.4	8.67	5.37	4.50
1.80V	249	150	97.4	72.0	58.7	33.9	26.7	20.8	18.1	15.6	12.0	10.2	8.64	5.31	4.49
1.83V	238	137	95.5	69.6	56.2	33.5	25.8	19.9	17.5	15.1	11.9	9.89	8.62	5.30	4.42
1.85V	223	133	88.7	66.8	54.4	32.2	25.1	19.6	17.1	14.7	11.5	9.75	8.58	5.20	4.38

### Constant power discharge ratings-watts at 25°C

End Voltage per cell	5MIN	15MIN	30MIN	45MIN	1H	2H	3H	4H	5H	6H	8H	10H	12H	20H	24H
1.60V	543	307	191	144	117	67.1	53.0	41.0	36.8	31.0	24.3	20.2	16.9	10.8	9.02
1.67V	523	301	190	143	116	67.0	52.3	41.0	36.6	31.0	24.0	20.1	16.8	10.7	9.02
1.70V	520	298	190	143	116	66.7	52.3	40.8	36.3	31.0	24.0	19.7	16.7	10.7	9.00
1.75V	485	296	189	143	114	66.3	51.7	40.8	36.1	30.9	23.5	19.6	16.6	10.7	9.00
1.80V	453	280	185	139	114	66.1	51.6	40.6	35.3	30.6	23.4	19.6	16.6	10.7	8.98
1.83V	437	256	182	135	109	65.3	50.4	39.2	34.5	29.7	23.5	19.1	16.3	10.7	8.92
1.85V	414	250	169	130	106	63.2	49.0	38.6	33.7	29.1	22.8	18.9	16.2	10.5	8.85

