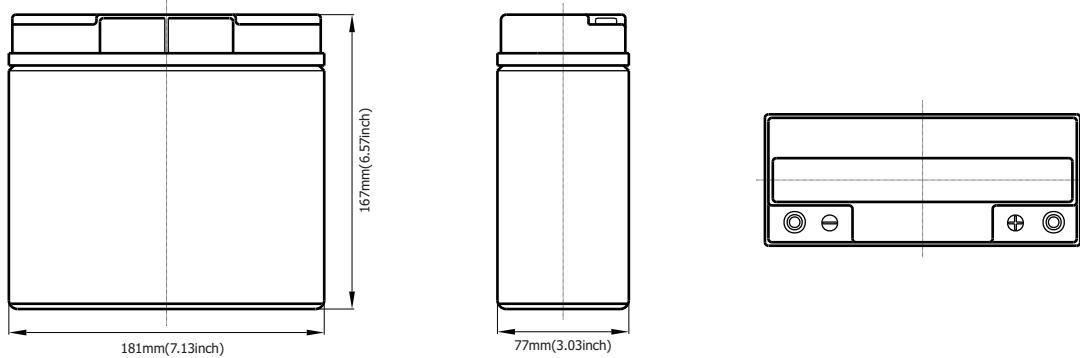


**Terminal Dimensions**



**Gaston GT-C**

range (deep cycle) is designed specially to have a large amount of stored current discharged between charging sessions, with heavy non-porous battery plate that is made of a different chemical for the plates active paste material and a electrolyte stronger slightly than normal battery electrolyte. It enhances a superior performance of high power output and excellent deep cycle life for energy applications.

**Applications**

- Electric Powered Vehicle
- Golf Cars and Buggy
- Wheel Chair
- Power Tool
- Electric Powered Toy
- Control System
- Vacuum Cleaner
- Medical Equipment
- UPS
- Photovoltaic Solar System

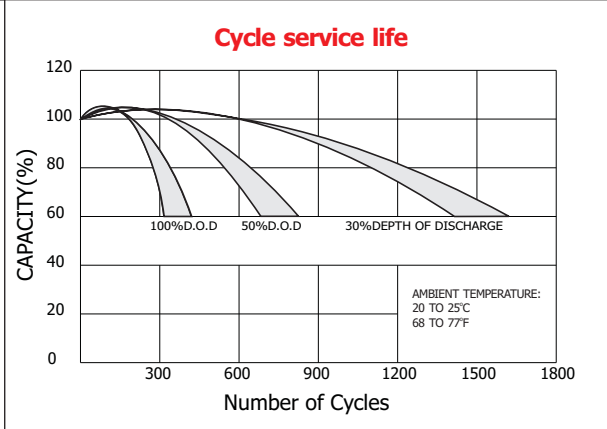
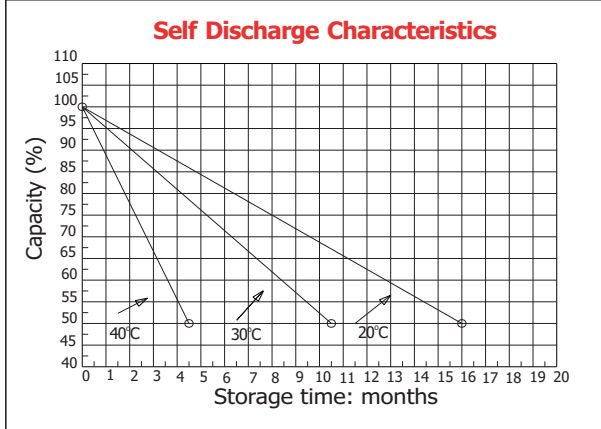
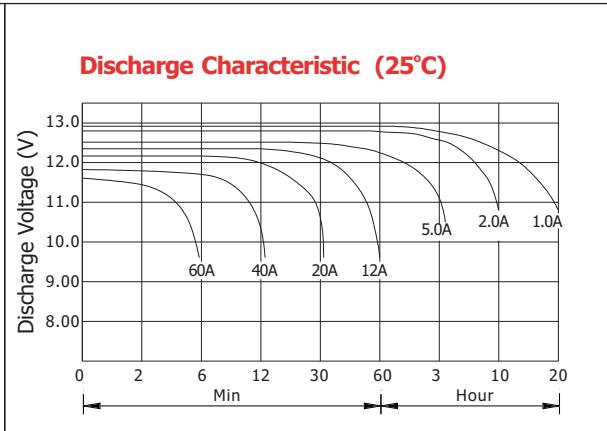
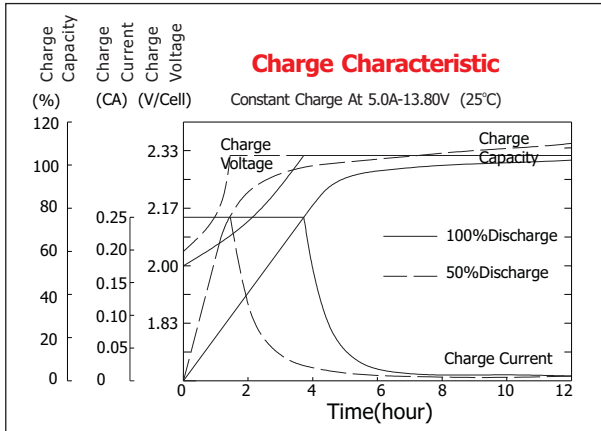
**General Features**

- Better discharge characteristics than normal VRLA batteries.
- Non-Spillable construction design.
- ABS containers and covers(UL94HB, UL94V-0) optional.
- Safety valve installation for explosion proof.
- Higher safety & reliable construction.
- Extra durability and deep cycle ability for heavy demand applications.
- Low self discharge characteristic.
- Flexibility design for multiple install positions.

**Construction**

- Component .....Raw material
- Positive .....Lead dioxide
- Negative .....Lead
- Container .....ABS
- Cover .....ABS
- Sealant .....Epoxy Resin
- Safety valve .....EPDR
- Terminal .....Copper
- Separator .....Fiber glass
- Electrolyte .....Sulfuric acid

Battery Model	GT12-18C			
Designed Cycle Life	> 350 cycles @ -0.5CA to 9.6V			
Capacity(25°C)	20HR(1.0A,1.75V)	10HR(1.8A,1.75V)	5HR(3.06A,1.75V)	1HR(12.6A,1.75V)
	20Ah	18Ah	15.3Ah	12.6Ah
Dimensions	Length	Width	Height	Total Height
	181mm(7.13inch)	77mm(3.03inch)	167mm(6.57inch)	167mm(6.57inch)
Approx. Weight	6.0Kg (13.23 lbs)			
Internal Resistance	Full charged at 25°C: 0.014 Ohm			
Self Discharge	3% of capacity declined per month at (25°C)			
Capacity Affected by Temp.(20HR)	40°C	25°C	0°C	-15°C
	102%	100%	85%	65%
Charge Voltage(25°C)	Cycle use		Float use	
	14.4-15V(-30mV/ °C), max. Current: 5.4A		13.6-13.8V(-20mV/ °C)	



**Constant current discharge ratings-amperes at 25°C**

F.V/Time	5MIN	10MIN	15MIN	30MIN	1HR	3HR	5HR	10HR	20HR
1.60V	88.6	55.1	41.6	25.4	14.2	6.24	3.81	2.08	1.12
1.67V	83.2	52.3	40.0	24.3	14.0	6.00	3.73	2.06	1.08
1.70V	76.2	50.4	39.1	22.1	13.6	5.60	3.65	2.05	1.07
1.75V	74.7	48.8	37.8	21.0	13.0	5.41	3.57	2.04	1.04
1.80V	66.9	46.6	34.3	19.4	12.1	5.20	3.36	2.00	1.01
1.85V	59.0	44.4	30.9	17.9	11.3	5.01	3.15	1.97	1.00

**Constant power discharge ratings-watts at 25°C**

F.V/Time	5MIN	10MIN	15MIN	30MIN	1HR	3HR	5HR	10HR	20HR
1.60V	155	99.6	75.9	45.7	25.7	11.1	6.44	4.27	2.24
1.67V	150	97.1	75.0	44.7	25.5	10.7	6.42	4.24	2.16
1.70V	141	96.1	74.4	41.9	25.0	10.2	6.33	4.21	2.13
1.75V	142	95.8	73.7	40.7	24.6	10.0	6.28	4.16	2.08
1.80V	130	94.4	68.4	38.8	23.2	9.71	6.08	4.11	2.03
1.85V	118	89.5	62.0	36.3	21.8	9.41	5.89	3.97	2.00

