

AG(AGM and Gel) range uses the advanced GEL design, which combines the best features of both AGM and GEL construction into one battery line, and the purity fumed silica to form sulfuric acid thixotropic Gel, and fills the batteries with vacuum to ensure complete penetration of electrolyte through separators and plates pastes.

This range battery is designed to meet the requirement of frequent cyclic and high temperature application such as boardband, PVs etc.

### Applications

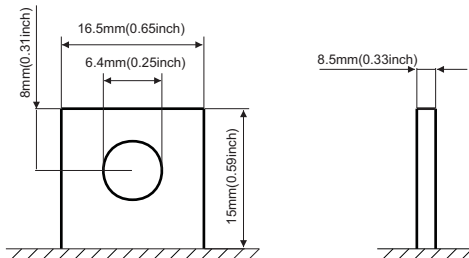
- Broadband
- Electric Powered Vehicle
- UPS
- Photovoltaic & Solar System
- Electric Powered Toy
- Control System
- Vacuum Cleaner
- Medical Equipment
- Golf Cars and Buggies
- Wheel Chairs

### General Features

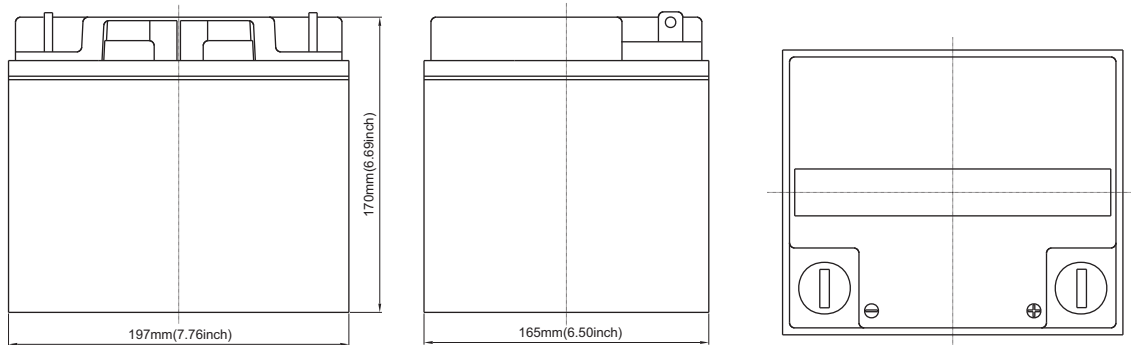
- Ideal for cyclic uses
- Good tolerance to higher temperature applications.
- ABS containers and covers(UL94HB, UL94V-0) optional.
- Safety valve installation for explosion proof.
- Higher safety & reliable construction.
- Extra durability and deep cycle ability for heavy demand applications.
- Low self discharge characteristic.
- Good tolerance to higher temperature applications.

### Construction

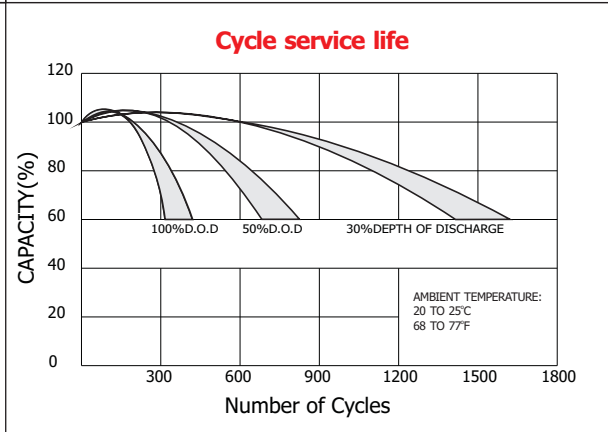
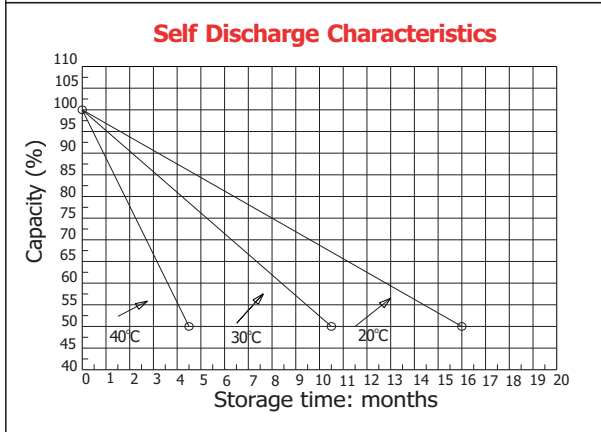
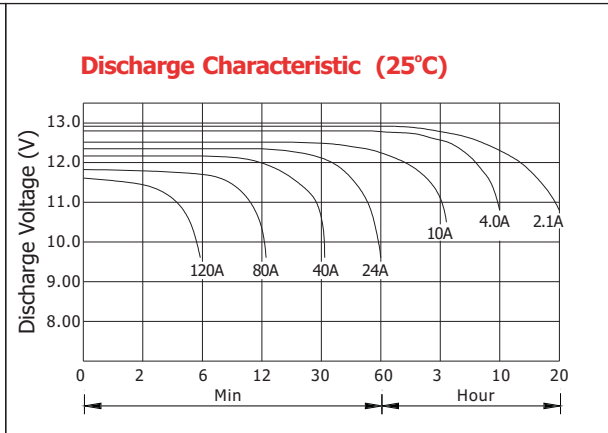
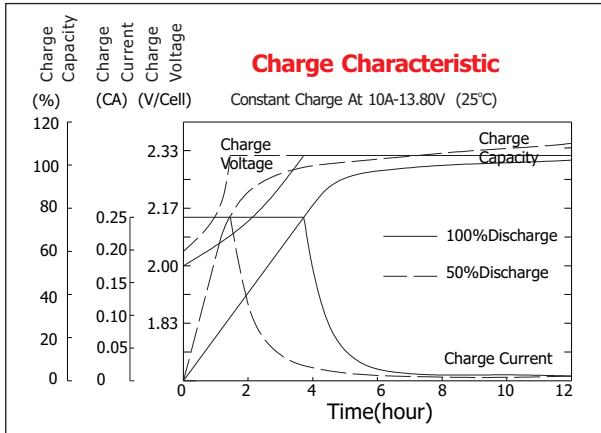
- Component .....Raw material
- Positive .....Lead dioxide
- Negative .....Lead
- Container .....ABS
- Cover .....ABS
- Sealant .....Epoxy Resin
- Safety valve .....EPDR
- Terminal .....Copper
- Separator .....AGM
- Electrolyte .....sulfuric acid thixotropic Gel



**Standard Terminal Dimensions**  
(Optional terminal please check terminal information page)



Battery Model	GT12-44AG			
Designed Floating Life	10 Years (Floating) or > 750 Cycles @ 50% D.O.D			
Capacity(25°C)	20HR(2.2A,1.75V)	10HR(4.0A,1.75V)	5HR(6.8A,1.75V)	1HR(27A,1.75V)
	44Ah	40Ah	34Ah	27Ah
Dimensions	Length	Width	Height	Total Height
	197mm(7.76inch)	165mm(6.50inch)	171mm(6.73inch)	171mm(6.73inch)
Approx. Weight	14Kg (30.9 lbs)			
Internal Resistance	Full charged at 25°C: 0.009 Ohm			
Self Discharge	3% of capacity declined per month at (25°C)			
Capacity Affected by Temp.(20HR)	40°C	25°C	0°C	-15°C
	102%	100%	85%	65%
Charge Voltage(25°C)	Cycle use		Float use	
	14.4-15V(-30mV/ °C), max. Current: 10A		13.6-13.8V(-20mV/ °C)	



### Constant current discharge ratings-amperes at 25°C

F. V/Time	5MIN	10MIN	15MIN	30MIN	1HR	3HR	5HR	10HR	20HR
1.60V	189	118	88.7	54.1	28.4	12.5	7.63	4.15	2.24
1.67V	177	112	85.4	51.8	28.1	12.0	7.47	4.11	2.17
1.70V	163	108	83.4	47.1	27.2	11.2	7.31	4.10	2.13
1.75V	159	104	80.7	44.7	25.9	10.8	7.15	4.08	2.08
1.80V	143	99.5	73.3	41.4	24.3	10.4	6.72	4.00	2.02
1.85V	126	94.8	65.9	38.1	22.6	10.0	6.29	3.95	1.96

### Constant power discharge ratings-watts at 25°C

F. V/Time	5MIN	10MIN	15MIN	30MIN	1HR	3HR	5HR	10HR	20HR
1.60V	332	212	162	97.5	51.3	22.1	12.9	8.53	4.48
1.67V	320	207	160	95.5	51.0	21.4	12.8	8.48	4.32
1.70V	301	205	159	89.4	50.0	20.5	12.7	8.43	4.27
1.75V	303	204	157	86.7	49.2	20.0	12.6	8.32	4.16
1.80V	278	201	146	82.7	46.3	19.4	12.2	8.21	4.05
1.85V	252	191	132	77.4	43.6	18.8	11.8	8.11	3.89